

**MODEL**  
**Chopper Pump**  
**BT60L**

Safely shredding plants with reduced maintenance costs. Bertoli Chopper Pump find their ideal use in the technological cycle treatment of tomatoes and fruits without stones.



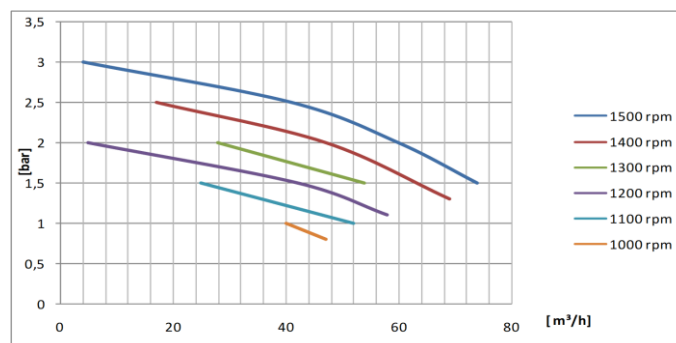
MODEL	MAX. POWER	PRESSURE bar	CAPACITY l/h
BT60L	30 kW 6 poles	6	60.000

\*Values referring to machines with fixed capacity

\*\*Values referring to products with a max viscosity of 500Cp and feeding pump

## TECHNICAL DATA

Weight (Kg)	460
Product inlet/outlet	Øe133
Water Inlet/Outlet	G1/4"

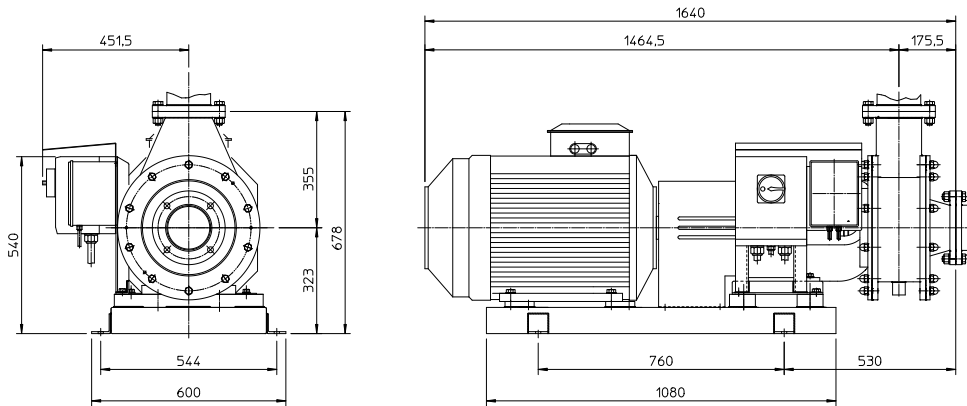


Design according to MACHINE DIRECTIVES and the HARMONIZED EUROPEAN STANDARD in force.



# Chopper Pump

HIGH PRESSURE HOMOGENIZERS AND PLUNGER PUMPS SINCE 1974  
*Powered By Interpump Group*



## FEATURES

- Stainless steel body casting
- Open impeller with 3 blades in stainless steel casting
- Internal sieve for grinding
- Propeller shaft made from special heat-treated steel
- Tungsten Carbide mechanical seal
- Cast iron support
- Electric motor 380/440V.50/60Hz 4-pole (kw See table above)
- Revolution counter with control sensor for the management of the magnetic drive coupling
- Greasing lubrication system
- Cooling and lubrication of the mechanical seal
- Painted steel platform, suitable for coupling the pump with electric motor
- Noise level <75Dba

## MAIN OPTIONS

- Impeller patent No. 2011000051 to cut shredding pump the product with:
  - blades in AISI 630
- Electrical panel: with power circuits, soft start starter, micro PLC for machine speed management
- Electrical motor ► electric motor 380/440V.50/60hz 4 poles from kW 37, to increase head performance

