

# Colloidal Mill

HIGH PRESSURE HOMOGENIZERS AND PLUNGER PUMPS SINCE 1974

Powered By Interpump Group



**MODEL  
BMC  
Colloidal Mill**

MODEL	MAX. POWER	PRESSURE bar
Colloidal Mill	kW	6
<b>BMC037</b>	37	12.000 l/h
<b>BMC055</b>	55	25.000 l/h

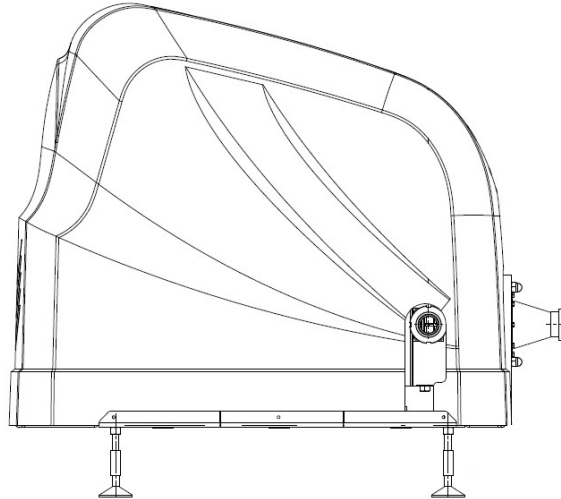
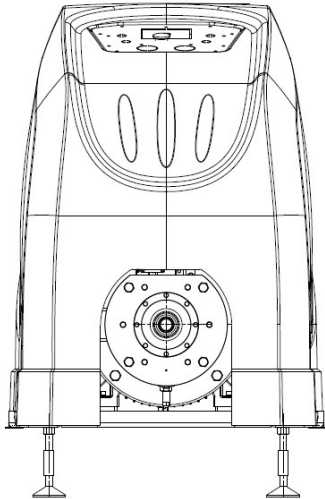
TECHNICAL DATA	BMC037	BMC055
Machine weight (kg)	600	1.050
Product inlet and outlet connection	DN 65/50	DN 100/DN80
Cooling water consumption l/h		60
Cooling water inlet/discharge connection		G 1/2"

Design according to MACHINE DIRECTIVES and the HARMONIZED EUROPEAN STANDARD in force.



# Colloidal Mill

**HIGH PRESSURE HOMOGENIZERS AND PLUNGER PUMPS SINCE 1974**  
*Powered By Interpump Group*



## DIMENSIONS

Colloidal Mill	Width (mm)	Length (mm)	Height (mm)
<b>BMC037</b>	800	1.350	1.200
<b>BMC055</b>	1.060	1.800	1.600

## MILL CHARACTERISTICS

AISI 630, Stainless steel rotor and stator for improved wear resistance

Cooled Hygienic dual cartridge tungsten carbide mechanical seal, EPDM

Connections available in DIN11851, Clamp BS4285, Clamp DIN32676

Terminal Box

Flow switch + solenoid valve for cooling water

Noise level < 85dBa

Stainless steel wetted part

Equipped with electromechanics actuator of stator position to adjust the grinding gap

Electric motor 220/380/440V.50/60Hz 2 poles

Painted steel frame + external cover made of ABS

## EXTRA FEATURES

Stator and Rotor available in different materials and coating to meet customers specifications

Wetted parts Ra < 0.6 µm

PLC, Siemens KTP 400, system grinding regulation

Electrical Power board

