



Colloidal Mill BMC006

PERFORMANCES

MODEL	INSTALLED POWER [kW – rpm]	WORKING PRESSURE (bar)	CAPACITY (l/h)	Width [mm]	Length [mm]	Height [mm]
BMC006	5,5 – 3000	6	3.000	420	730	1.000

TECHNICAL DATA

Machine weight (kg)	90
Connection product inlet & outlet	DN32/DN25
Cooling water consumption l/h	60
Cooling water inlet/discharge connection	G 1/2"

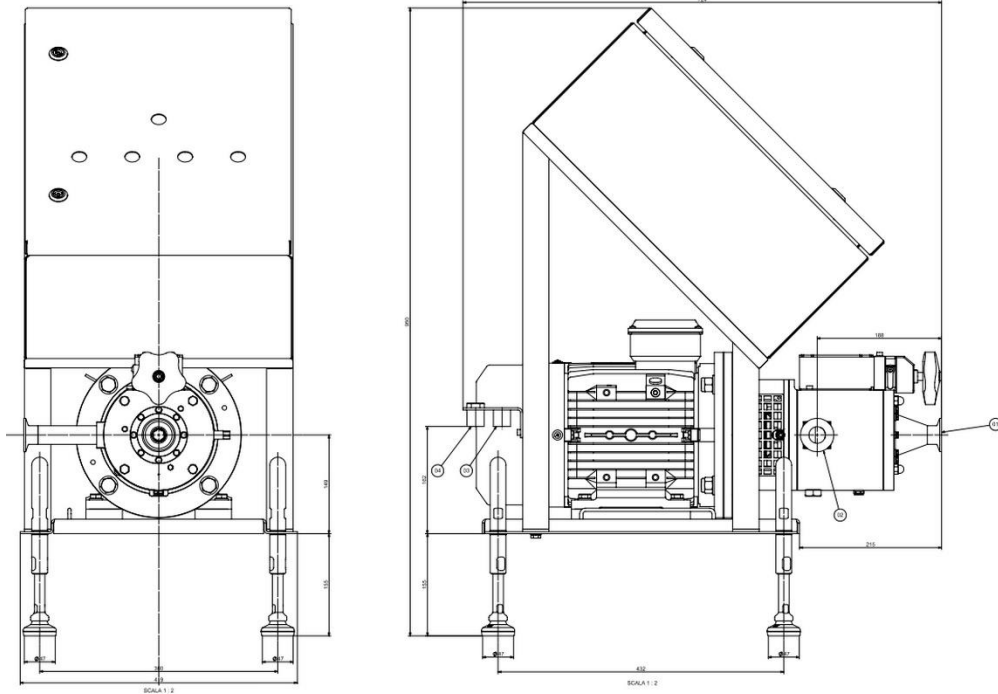
Design according to MACHINE DIRECTIVES and the HARMONIZED EUROPEAN STANDARD in force



Colloidal Mill

HIGH PRESSURE HOMOGENIZERS AND PLUNGER PUMPS SINCE 1974

Powered By Interpump Group



MILL CHARACTERISTICS

AISI 630, Stainless steel rotor and stator for improved wear resistance

Cooled Hygienic dual cartridge tungsten carbide mechanical seal, EPDM

Connections available in Clamp BS 4825, DIN 11851

Terminal Box

Flow switch + solenoid valve for cooling water

Noise level < 85dBa

Parts in contact with the product made of stainless steel and higher

Equipped with handwheel for stator position to adjust the grinding gap.

Electric motor 220/380/440V.50/60Hz 2 poles

Painted steel frame

EXTRA FEATURES

Stator and Rotor available in Duplex SAF2205

Wetted parts Ra < 0.6 µm

Electrical Power board installable inside of the machine

