

Centrifugal Pump

HIGH PRESSURE HOMOGENIZERS AND PLUNGER PUMPS SINCE 1974

Powered By Interpump Group

MODEL BE Pump

BE pump has been specially designed for pumping viscous products, always ensuring a high NPSH to avoid the risk of cavitation.



MODEL	MAX. POWER	CAPACITY
Pump	kW	l/h
BE23	5,5	32.000
BE28	11	60.000
BE33	30	120.000

TECHNICAL DATA

	BE23	BE28	BE33
Weight (kg)	210	270	370
Product Inlet	Øe70	Øe108	Øe130
Product Outlet	Øe70	Øe80	Øe115
Cooling Water Inlet	1/4"	1/4"	1/4"
Cooling Water Outlet	3/8"	3/8"	3/8"

FEATURES

Stainless steel body casting	Cooling front cover
Front cover removable for inspection	Counter-flanges, gaskets and bolts for input and output product
Sieve internal dispersion of particles	Electric motor 380/440V.50/60Hz 4-pole
Propeller shaft stainless steel heat-treated	Grease lubrication system
Mechanical seal in carbide	Painted steel platform, suitable for coupling the pump with electric motor
Support cast iron	Noise < 75DbA

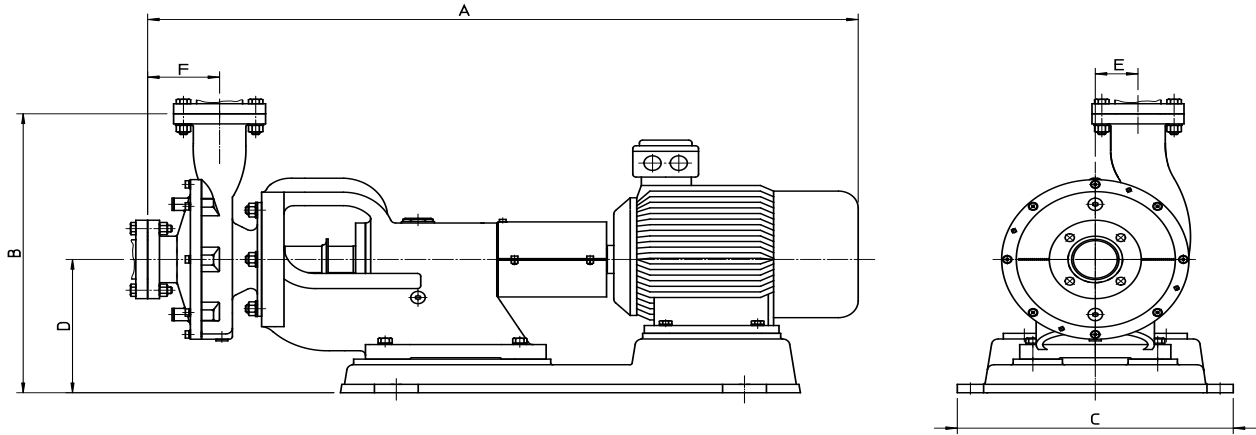
Design according to MACHINE DIRECTIVES and the HARMONIZED EUROPEAN STANDARD in force.



Centrifugal Pump

HIGH PRESSURE HOMOGENIZERS AND PLUNGER PUMPS SINCE 1974

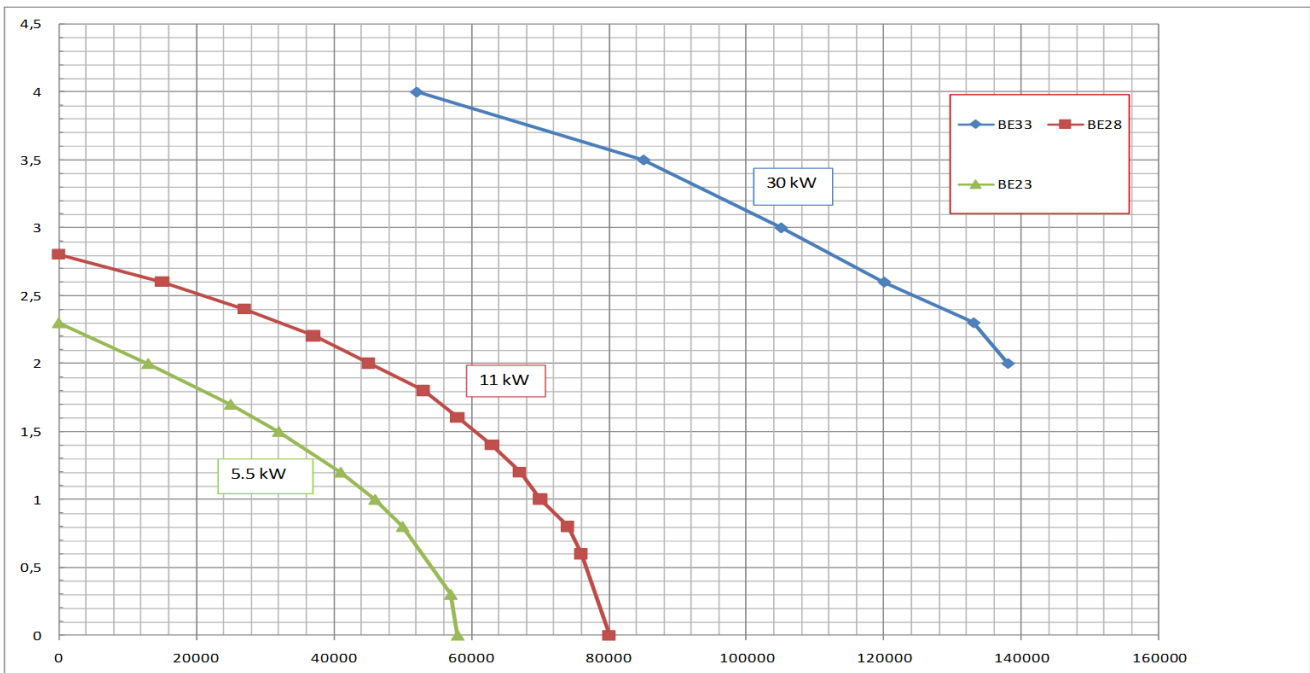
Powered By Interpump Group



DIMENSIONS

MODEL	A	B	C	D	E	F
BE23	1081	498	420	238	65	109
BE28	1285	478	460	238	83.5	168
BE33	1558	616	570	308	99.5	223

CHARACTERISTIC CURVES OF CENTRIFUGAL PUMPS



REV7-07/24EN

